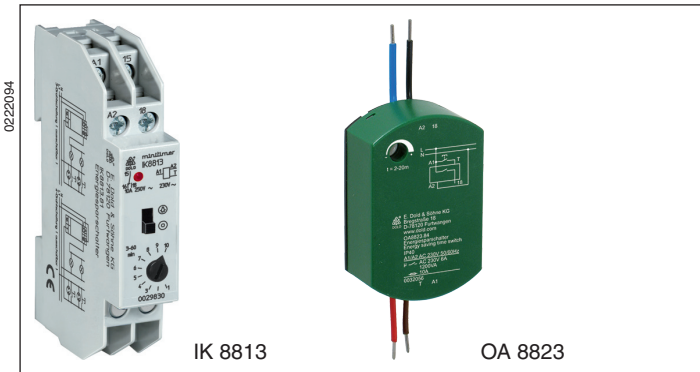


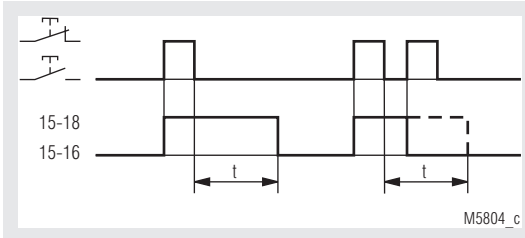
## MINITIMER Energy-Saving Time Switch IK 8813 / OA 8823

Translation  
of the original instructions

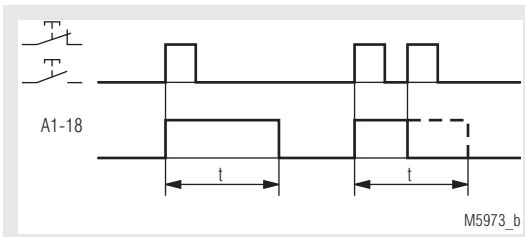


- According to EN 60669-1, EN 60669-2-1
- Can be switched off before the time expires
- Operating times between 0.5 ... 60 min., as required
- IK 8813 with permanent light switch and LED indicator for contact position
- IK 8813 for installation in rows, width 17.5 mm
- OA 8823 for installation in flush-mounted boxes

### Function Diagram



IK 8813



OA 8823

### Approvals and Markings



### Applications

Controlled switching-off of lights (such as staircase, courtyard, garden, garage, attic and cellar lights) as well as ventilators, driers and all electronic consumers in general that experience has shown are rarely switched off again immediately after they have been used.

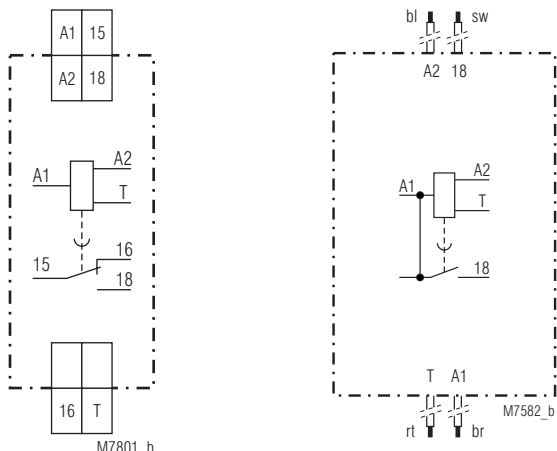
### Function

The energy-saving switches IK 8813 and OA 8823 are controlled by an electronic timing element. While IK 8813 is designed to be mounted on a top hat rail, OA 8823 is suitable for installation in flush-mounted boxes. The operating time can be set using a screwdriver. The switch can be activated via a 3- or 4-wire connection by pressing a pushbutton (only a 4-wire connection in the case of OA 8823). The pushbutton and the equipment concerned have to be connected to the same phase in this context.

### Indicators

IK 8813  
yellow LED: On, when the output relay is activated (contact 15 - 18 is closed)

### Circuit Diagrams



IK 8813.81

OA 8823.84

### Notes

Switch connection boxes (60 cm deep) are suitable for installing OA 8823 can be purchased, for example, from Messrs Kaiser, D - 5885 Schalksmühle / Germany (order no. 1055-02). OA 8823 is also available on request complete with installation pushbutton and installation frame for switch connection boxes (diameter 60 mm, depth 40 mm).

### Connection Terminals

Terminal designation	Signal description
A1	L
A2	N
T	Control input for buttons
15, 16, 18	Contact-output delayed

## Technical Data

### Timing circuit

**Timing ranges:** 0.5 ... 10 min, 1 ... 20 min, 3 ... 60 min  
**Repeat accuracy:** + 2 % of the full scale value

### Input

**Nominal voltage  $U_N$ :** AC 230 V  
**Voltage range:** 0.8 ... 1.1  $U_N$   
**Nominal consumption:**  
 apparent power: IK 8813: 5 VA  
 OA 8823: 3 VA  
 actual power: 0.3 W  
**Nominal frequency:** 50 / 60 Hz  
**Glow lamps parallel to the pushbutton:** 10 mA

### Output

**Contacts**  
 IK 8813.81: 1 changeover contact, delayed  
 OA 8823.84: 1 NO contact, delayed  
**Thermal current  $I_{th}$**   
 IK 8813: 10 A  
 OA 8823: 4 A  
**Switching capacity with lamp load:**  
 Fluorescent lamp load  
 Duo-switching (series compensated)  
 IK 8813: 20 lamps with 58 W each  
 5 x 10<sup>4</sup> switching cycles  
 OA 8823: 6 lamps with 58 W each  
 5 x 10<sup>4</sup> switching cycles  
 Glow lamp load  
 IK 8813: 1200 W  
 OA 8823: 600 W  
**Short circuit strength max. fuse rating**  
 IK 8813: 10 A gG / gL IEC/EN 60947-5-1  
 OA 8823: 4 A gG / gL IEC/EN 60947-5-1  
**Mechanical life:** > 10<sup>6</sup> switching cycles

### General Data

**Operating mode:** Continuous operation  
**Temperature range**  
 Operation: - 20 ... + 45 °C  
 Storage: - 20 ... + 60 °C  
**Altitude:** < 2000 m  
**Clearance and creepage distances**  
 rated impulse voltage / pollution degree: 4 kV / 2 IEC 60664-1  
**EMC**  
 Electrostatic discharge: 8 kV (air) IEC/EN 61000-4-2  
 HF-irradiation: 10 V / m IEC/EN 61000-4-3  
 Fast transients: 2 kV IEC/EN 61000-4-4  
 Surge voltages between  
 wires for power supply: 2 kV IEC/EN 61000-4-5  
 between wire and ground: 4 kV IEC/EN 61000-4-5  
 Interference suppression: Limit value class B EN 55011  
**Degree of protection**  
 IK 8813:  
 Housing: IP 40 IEC/EN 60529  
 Terminals: IP 20 IEC/EN 60529  
 OA 8823:  
 Housing: IP 40 IEC/EN 60529  
**Housing:** Thermoplastic with V0 behaviour according to UL subject 94  
**Vibration resistance:** Amplitude 0.35 mm, frequency 10 ... 55 Hz IEC/EN 60068-2-6  
**Climate resistance:** 20 / 045 / 04 IEC/EN 60068-1

## Technical Data

**Terminal designation:** EN 50005  
**Wire connection IK 8813**  
 DIN 46228-1/-2/-3/-4  
**Cross section:** 2 x 0,6 ... 2,5 mm<sup>2</sup> solid or 2 x 0,28 ... 1,5 mm<sup>2</sup> stranded wire with and without ferrules  
**Stripping length:** 10 mm  
**Wire fixing:** Plus-Minus-terminal screws M3,5 with self-lifting clamping piece IEC/EN 60999-1  
**Fixing torque:** 0.8 Nm  
**Mounting:**  
 IK 8813: DIN rail IEC/EN 60715  
**Weight**  
 IK 8813: 75 g  
 OA 8823: 31 g

### Dimensions

**Width x height x depth**  
 IK 8813: 17.5 x 89 x 58 mm  
 OA 8823: 40 x 58.5 x 18 mm

## Standard Type

IK 8813.81 AC 230 V 50 / 60 Hz 3 ... 60 min  
 Article number: 0029830  
 • Output: 1 changeover contact, delayed  
 • Nominal voltage  $U_N$ : AC 230 V  
 • Time range: 3 ... 60 min  
 • Width: 17.5 mm

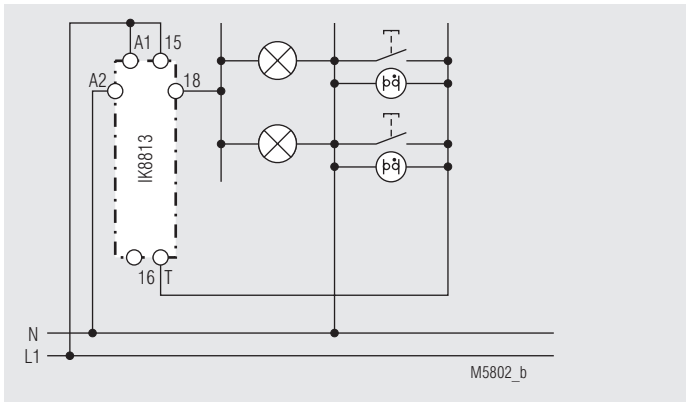
## Ordering Example

IK 8813 .81 AC 230 V 50 / 60 Hz 1 ... 20 min

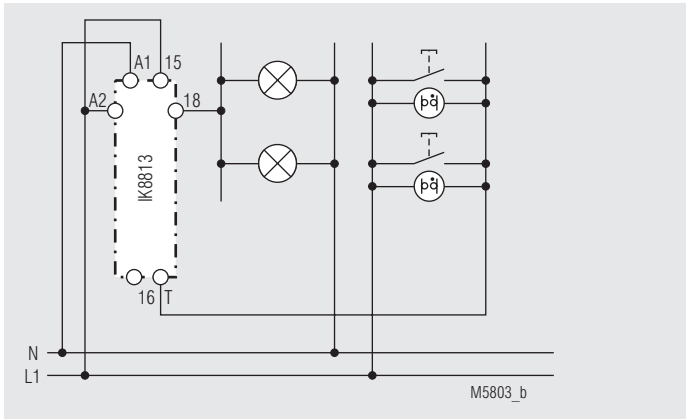
IK 8813    .81    AC 230 V    50 / 60 Hz    1 ... 20 min

Timing range  
 Nominal frequency  
 Nominal voltage  
 Contacts  
 Type

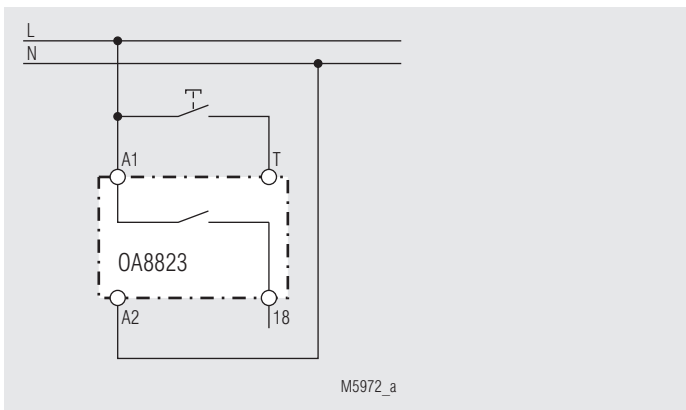
## Application Examples



IK 8813  
3-wire circuit (can be switched off)



IK 8813  
4-wire circuit (can be switched off)



OA 8823

