

Electrical Power Connectors



Manufactured by **Cavotec Connectors**



Size X6 Power Connector $\leq 540A$, 12000V *Push & Pull system*

The X6 size power connector for medium voltage with Push & Pull system is designed for applications where the connector has to be connected or disconnected frequently. Thanks to their robust design these connectors are often used in harsh environments such as ports, mines or tunnels etc.

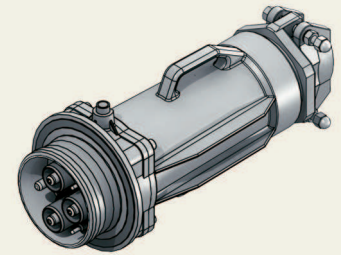
The body is made of marine grade aluminum, the cams are made of marine grade bronze and Teflon insulators. The connector has IP 66 when connected or lids are closed on plug and socket.

Its main features are fast and easy connect and disconnect that can be done by one person alone. The compact design, the proven Cavotec MWT pin system that allows pins to be exchanged from the front without dismantling the connector and the use of re-enterable

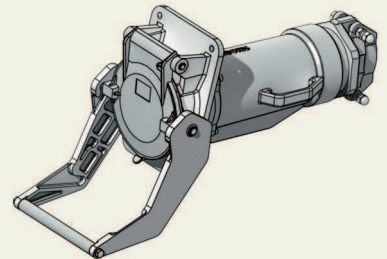
insulation gel that allows dismantling and reuse of the pins and insulators are other important features.

Optional equipment such as an externally mounted fiber optic connectors, 12kV termination kits, plug cover and a plate for mounting the connector on a wall are available.

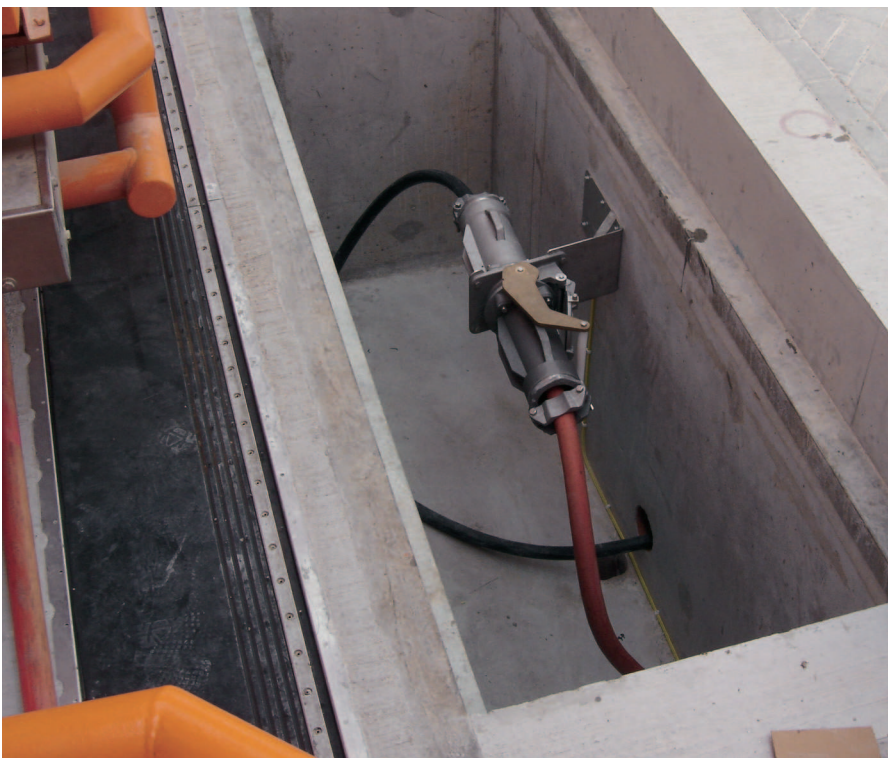
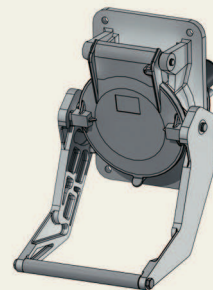
Plug/Inverted Plug, straight Push & Pull

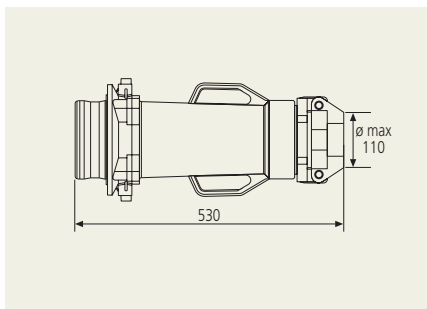


Connector/Inverted Connector Push & Pull



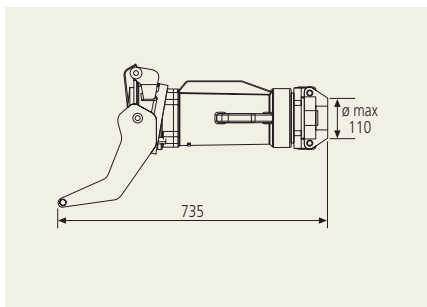
Socket/Inverted Socket Push & Pull





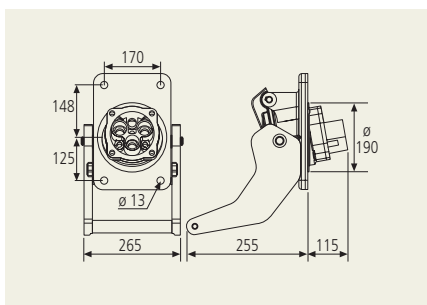
Plug/Inverted Plug, straight Push & Pull

Type Size	N° poles P&E + pil	Max. voltage phase/pilot	Max. current Amp.	Weight kg	Cross section mm ²	Plug: Male pins Product code	Inv. plug: Female pins Product code
6	4+2	12000/400	125	10	25	PC6-SX04-L0250	PC6-TX04-L0250
			160		35	PC6-SX04-L0350	PC6-TX04-L0350
			200		50	PC6-SX04-L0500	PC6-TX04-L0500
			250		70	PC6-SX04-L0700	PC6-TX04-L0700
			300		95	PC6-SX04-L0950	PC6-TX04-L0950
			350		120	PC6-SX04-L1200	PC6-TX04-L1200
			420		150	PC6-SX04-L1500	PC6-TX04-L1500
			480		185	PC6-SX04-L1850	PC6-TX04-L1850
			540		240	PC6-SX04-L2400	PC6-TX04-L2400



Connector/Inverted Connector, straight Push & Pull

Type Size	N° poles P&E + pil	Max. voltage phase/pilot	Max. current Amp.	Weight kg	Cross section mm ²	Plug: Female pins Product code	Inv. conn.: Male pins Product code
6	4+2	12000/400	125	19	25	PC6-RX04-L0250	PC6-PX04-L0250
			160		35	PC6-RX04-L0350	PC6-PX04-L0350
			200		50	PC6-RX04-L0500	PC6-PX04-L0500
			250		70	PC6-RX04-L0700	PC6-PX04-L0700
			300		95	PC6-RX04-L0950	PC6-PX04-L0950
			350		120	PC6-RX04-L1200	PC6-PX04-L1200
			420		150	PC6-RX04-L1500	PC6-PX04-L1500
			480		185	PC6-RX04-L1850	PC6-PX04-L1850
			540		240	PC6-RX04-L2400	PC6-PX04-L2400



Socket/Inverted Socket Push & Pull

Type Size	N° poles P&E + pil	Max. voltage phase/pilot	Max. current Amp.	Weight kg	Cross section mm ²	Plug: Female pins Product code	Inv. socket: Male pins Product code
6	4+2	12000/400	125	13	25	PC6-VX04-L0250	PC6-WX04-L0250
			160		35	PC6-VX04-L0350	PC6-WX04-L0350
			200		50	PC6-VX04-L0500	PC6-WX04-L0500
			250		70	PC6-VX04-L0700	PC6-WX04-L0700
			300		95	PC6-VX04-L0950	PC6-WX04-L0950
			350		120	PC6-VX04-L1200	PC6-WX04-L1200
			420		150	PC6-VX04-L1500	PC6-WX04-L1500
			480		185	PC6-VX04-L1850	PC6-WX04-L1850
			540		240	PC6-VX04-L2400	PC6-WX04-L2400

Optional accessories

PCX-89012-010: 12kV termination kit 3P+N 25-95 mm²

PCX-89012-020: 12kV termination kit 3P+N 95-240 mm²

PCX-01616-007: Plug cover X6 with chain

PCX-49X10-1002: Wall mounting bracket connector

Fiber optic cable extension with plug mounted on socket or connector.

Fiber optic socket on connection box mounted on the plug.

Head Office

Cavotec MSL Holdings Ltd.
Cavotec MSL is listed on the **FTSE 4i**

Corporate Office

Cavotec (Swiss) SA
Via Serafino Balestra 27
CH-6900 Lugano, Switzerland

We are present in

Argentina	Luxemburg
Australia	Malaysia
Belgium	Mexico
Brasil	The Netherlands
Canada	New Zealand
Chile	Norway
China	Russia
Denmark	Saudi Arabia
Egypt	Singapore
Finland	South Africa
France	Sweden
Germany	Switzerland
Hong Kong	Taiwan
India	Turkey
Indonesia	Qatar
Ireland	U.A.E.
Italy	U.K.
Japan	U.S.A.
Korea	



For more information please visit our website www.cavotec.com
or contact us directly at info@cavotec.com



OS-KOM spol s r.o.
Zdíkovská 22, 150 00 Praha 5
tel./fax : 00420-257 210 114
oskom@oskom.cz
www.oskom.cz
CZECH REPUBLIC