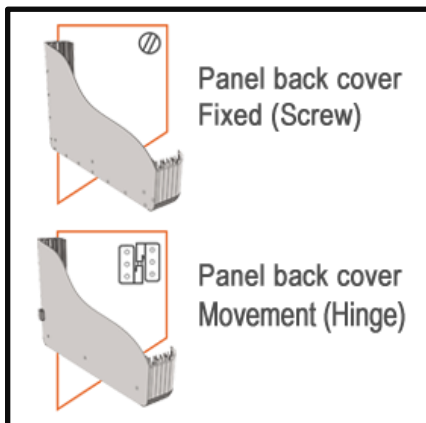
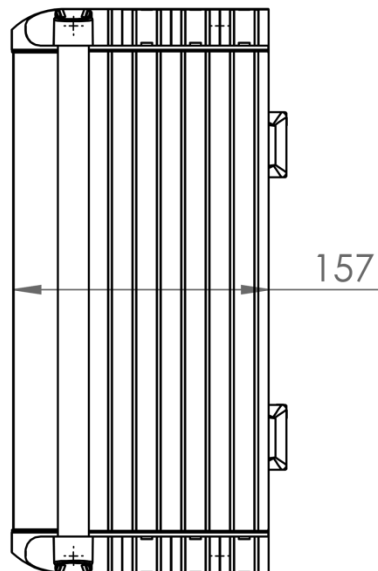
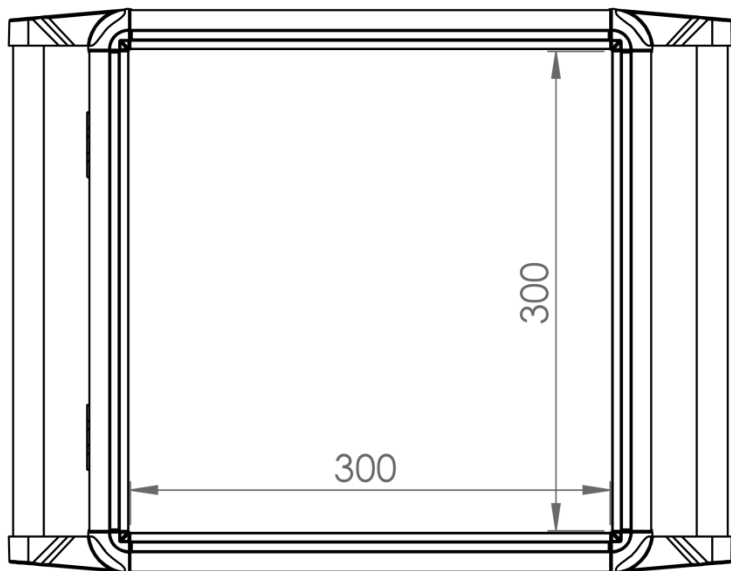


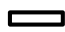
# ECO.1500.0200

## Panel Systems



|                        |                    |
|------------------------|--------------------|
| Weight (gr)            | -                  |
| Color / Ral Code       | Aluminium Anodized |
| Package                | 1                  |
| Package Dimension (mm) | 440x380x200        |
| Material               | Aluminium          |



| Installation Area |           |          | Back Area |       | Installation Depth              |                      | Support Arm No. TK   |   | Order No  |
|-------------------|-----------|----------|-----------|-------|---------------------------------|----------------------|----------------------|---|-----------|
| Weight mm         | Height mm | Depth mm | Hinge     | Screw | H Profile installation platform | Installation Deep mm | 130 mm $\varnothing$ | 118 x 65.5 mm  |           |
| 300               | 300       | 150      | Yes       | -     | Yes                             | 127                  | Yes                  | -   | 1500-0204 |
| 300               | 300       | 150      | -         | Yes   | -                               | 150                  | Yes                  | -   | 1500-0205 |
| 300               | 400       | 150      | Yes       | -     | Yes                             | 127                  | Yes                  | -   | 1500-0206 |
| 300               | 400       | 150      | -         | Yes   | -                               | 150                  | Yes                  | -   | 1500-0207 |
| 400               | 400       | 150      | Yes       | -     | Yes                             | 127                  | Yes                  | -   | 1500-0208 |
| 400               | 400       | 150      | -         | Yes   | -                               | 150                  | Yes                  | -   | 1500-0209 |
| 400               | 500       | 150      | Yes       | -     | Yes                             | 127                  | Yes                  | -   | 1500-0210 |
| 400               | 500       | 150      | -         | Yes   | -                               | 150                  | Yes                  | -   | 1500-0211 |
| 500               | 500       | 150      | Yes       | -     | Yes                             | 127                  | Yes                  | -   | 1500-0212 |
| 500               | 500       | 150      | -         | Yes   | -                               | 150                  | Yes                  | -   | 1500-0213 |
| 500               | 600       | 150      | Yes       | -     | Yes                             | 127                  | Yes                  | -   | 1500-0214 |
| 500               | 600       | 150      | -         | Yes   | -                               | 150                  | Yes                  | -   | 1500-0215 |
| 600               | 600       | 150      | Yes       | -     | Yes                             | 127                  | Yes                  | -   | 1500-0216 |
| 600               | 600       | 150      | -         | Yes   | -                               | 150                  | Yes                  | -   | 1500-0217 |