

KEL-DP cable entry plates

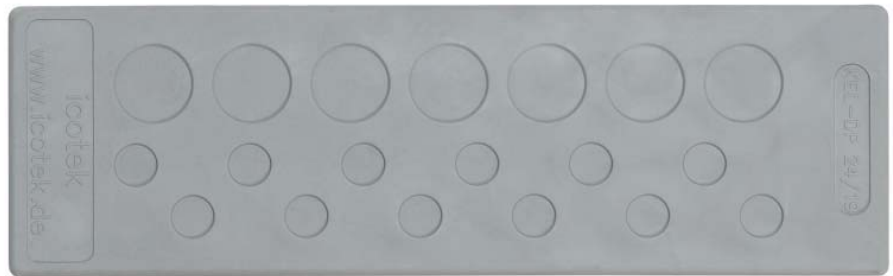
The KEL-DP cable entry plate is a simple push fit into the standard cut-out. Integrated spring bars centre the position of the KEL-DP.

The Advantages:

- ❑ the most simple and tool-free assembly
- ❑ simple installation of the cables
- ❑ very high packing-density
- ❑ low installation height
- ❑ cost-efficient
- ❑ for wall thickness up to 4 mm



Cables are installed through the KEL-DP and pulled to the desired length. The cable plate makes an automatic seal on the cables.



Specification:

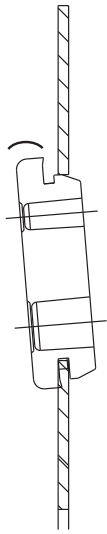
Material: Elastomer
 UL-94 V0, self-extinguishing,
 halogen-free, silicone-free,
 Protection to IP 54

KEL-DP cable entry plates

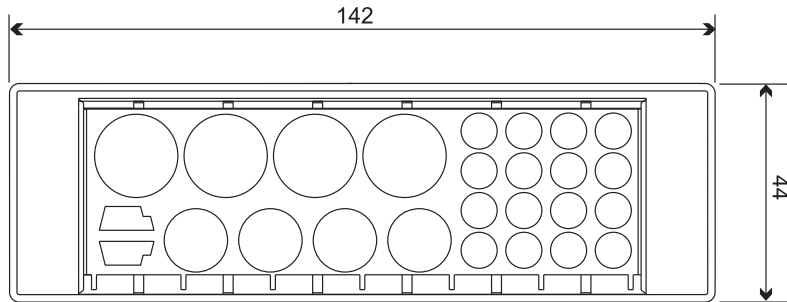
Rectangular model

Rectangular model

Required cut-out size 112 x 35 mm, external dimensions 142 x 44 mm,
Matching for sheet thickness of 1.5 to 2.5 mm



Fixing



Matching KDR base plates for control cabinets can be found on page 29 and
FP flanged plates for AE-enclosures and KL-boxes can be found on pages 27/28.

KEL-DP cable entry plates (rectangular model)

Type	Order No.	Number of cable with max. diameter
KEL-DP 24/14	43512	14 x cable diameter to max 12.1 mm
KEL-DP 24/17	43514	12 x cable diameter to max 12.6 mm 5 x cable diameter to max 10.5 mm
KEL-DP 24/19	43516	7 x cable diameter to max 12.1 mm 12 x cable diameter to max 6.5 mm
KEL-DP 24/26	43518	2 x ASI-cables 16 x cable diameter to max 6.5 mm 4 x cable diameter to max 12.1 mm 4 x cable diameter to max 16.1 mm
KEL-DP 24/48	43519	48 x cable diameter to max 6.5 mm
KEL-DP 24/50	43520	33 x cable diameter to max 5.3 mm 9 x cable diameter to max 6.4 mm 8 x cable diameter to max 8.3 mm

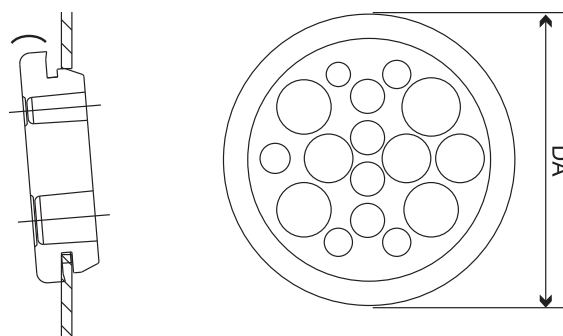
KEL-DP cable entry plates

Round model

Round model

Matching for sheet thickness

- For model A from 1.5 to 2.5 mm
- For model B from 2.8 to 4.0 mm



Attachment

KEL-DP cable entry plates (round model)					
Type	Order No. Version A	Order No. Version B	External diameter DA in mm	Required cut-out size in mm	Number of cable with max. diameter
KEL-DP 25/6	43531	–	32	25	4 x cable diameter to max 5.2 mm 2 x cable diameter to max 9.4 mm
KEL-DP 32/10	43532	43560	38	32	6 x cable diameter to max 5.2 mm 2 x cable diameter to max 6.4 mm 2 x cable diameter to max 9.4 mm
KEL-DP 50/9	43554	43568	60	50	5 x cable diameter to max 7.0 mm 4 x cable diameter to max 18.0 mm
KEL-DP 50/12	43551	43562	60	50	10 x cable diameter to max 9.2 mm 2 x cable diameter to max 11.2 mm
KEL-DP 50/16	43550	43564	60	50	4 x cable diameter to max 5.3 mm 5 x cable diameter to max 6.3 mm 3 x cable diameter to max 9.5 mm 4 x cable diameter to max 11.3 mm
KEL-DP 50/18	43553	43567	60	50	5 x cable diameter to max 12.0 mm 5 x cable diameter to max 9.4 mm 4 x cable diameter to max 7.2 mm 2 x cable diameter to max 6.0 mm 2 x cable diameter to max 4.0 mm
KEL-DP 50/20	43552	43566	60	50	16 x cable diameter to max 6.3 mm 4 x cable diameter to max 9.3 mm