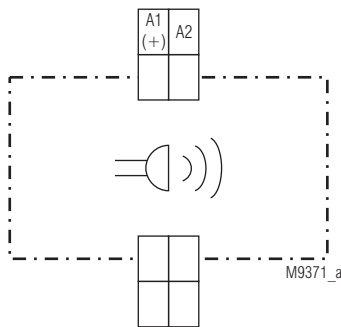




- Permanent sound, pitch fixed
- optionally with switchable interval- / permanent sound and 2 pitches settable
- Width: 17,5 mm and depth: 64 mm

### Circuit diagram



RK 8832, RK 8832/100

### Approval and marking



### Applications

- Audible alarm
- Alarm buzzer in 1- or 2-family houses

### Technical Data

#### Input

<b>Nominal voltage <math>U_N</math>:</b>	AC/DC 24V AC 230 V
<b>Voltage range:</b>	0,8 ... 1,1 $U_N$
<b>Frequency range:</b>	45 ... 65 Hz

#### Output

#### Signal frequency

RK 8832:	3,8 kHz fixed
RK 8832/100:	1,3 / 2,6 kHz adjustable

#### Volume

#### (2 m distance):

RK 8832:	3,8 kHz	ca. 70 dB (A)
RK 8832/100:	1,3 kHz	ca. 60 dB (A)
	2,6 kHz	ca. 70 dB (A)

### General Data

**Nominal operating mode:** continuous operation

**Temperature range:** - 20 ... + 60°C

#### Clearance and creepage distance

overvoltage category /

contamination level: 4 kV / 2 IEC 60 664-1

#### EMC

Electrostatic discharge (ESD): 8 kV / 2 (air) IEC/EN 61 000-4-2

HF irradiation: 10 V/m IEC/EN 61 000-4-3

Fast transients: 2 kV IEC/EN 61 000-4-4

surge voltage

between

wires for power supply: 1 kV IEC/EN 61 000-4-5

between wire and ground: 2 kV IEC/EN 61 000-4-5

interference suppression: limit value class B EN 55 011

#### Degree of protection:

Housing: IP 40 IEC/EN 60 529

Terminals: IP 20 IEC/EN 60 529

#### Enclosure:

thermoplastic with VO behaviour

according UL Subject 94

#### Vibration resistance:

Amplitude 0,35 mm

Frequenz 10 ... 55 Hz, IEC/EN 60 068-2-6

Climate resistance: 20 / 060 / 04 IEC/EN 60 068-1

#### Terminal designation:

EN 50 005

## Technical Data

<b>Wire connection:</b>	1 x 2,5 mm <sup>2</sup> solid or max. 1 x 2,5 mm <sup>2</sup> stranded wire with sleeve DIN 46 228-1/-2/-3/-4
<b>Wire fixing:</b>	Box terminal with wire protection
<b>Mounting:</b>	DIN-rail IEC/EN 60 715
<b>Weight</b>	
RK 8832:	40 g
RK 8832/100:	44 g

## Dimensions

**Width x height x depth:** 17,5 x 90 x 71 mm

## Standard type

RK 8832 AC 230 V

Article number: 0059906

- Permanent sound, pitch fixed
- Nominal voltage U<sub>N</sub>: AC 230 V
- Width: 17,5 mm

## Variant

RK 8832/100: interval- / permanent sound adjustable  
2 pitches settable

## Order reference for variant

RK 8832 / \_ \_ \_ AC 230V

