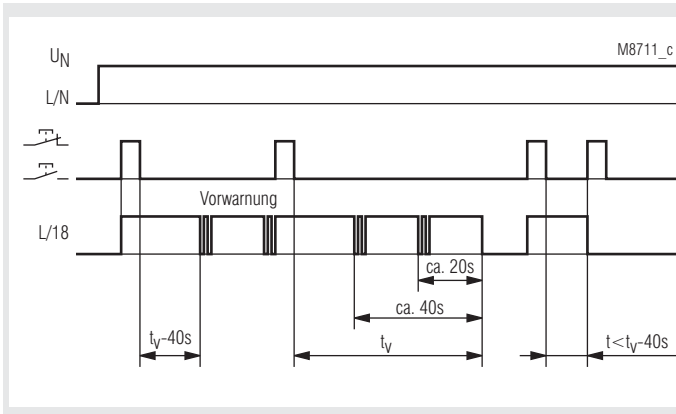


Energy saving time switch RK 8810/004 minitimer



- According to EN 60 669
- Setting range: for long times 3 ... 60 min
- For 4-wire circuit L on push button and 3-wire circuit N on push button
- With pre-warning shortly before end of time delay
- Light can be switched off before pre-warning
- Light can be retriggered after pre-warning
- Switch for continuous light on unit
- Contact: 16 A
- Width 17,5 mm

Function diagram



Approval and marking



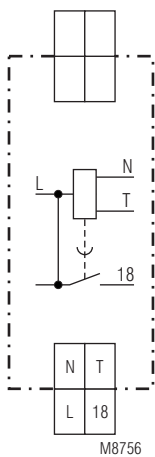
Application

On and Off switching of lights

Function

Approx. 30 s before end of timing the light flashes shortly to indicate that the light will go off. If the pushbutton is pressed again before prewarning, the light is switched off immediately. If the pushbutton is pressed after prewarning the adjusted time is started again without interruption on the output contact

Circuit diagram



RK 8810.41/004

Notes

Unit and push button have to be connected to the same phase (see connection diagram) The output contact is not volt free.

Technical Data

Time circuit

Time range: 3 ... 60 min
Repeat accuracy: < 1 % of setting value

Input

Nominal voltage U_N : AC 230 V
Voltage range: 0,9 ... 1,1 U_N
Nominal consumption: approx. 5 VA
Nominal frequency: 50 / 60 Hz
Permitted residual current caused by glow lamps in the push buttons max. 50 glow lamps à 1 mA
Min. pulse duration: 30 ms

Technische Daten

Output

Contacts:	1 NO contact, delay	
Contact opening gap:	> 3 mm	
Thermal current I_{th}:	16 A	
Switching capacity with lamp load	Fluorescent lamp load	
Duo switching:	(series compensated) 2 x 20 lamps with 58 W each	
Glow lamp load:	2000 W	
Short circuit current strength:	> 700 A	
Short circuit strength max. fuse rating:	16 AgL	IEC/EN 60 947-5-1
Mechanical life:	> 1 x 10 ⁶ switching cycles	

General Data

Nominal operating mode:	impulse operation / continuous operation	
Temperature range:	- 20 ... + 50°C	
Clearance and creepage distances	rated impuls voltage / pollution degree: 4 kV / 2 IEC 60 664-1	
EMC	Electrostatic discharge (ESD): 8 kV (air) IEC/EN 61 000-4-2	
Fast transients:	2 kV IEC/EN 61 000-4-4	
Surge voltages between wires for power supply:	1 kV	IEC/EN 61 000-4-5
between wire and ground:	2 kV	IEC/EN 61 000-4-5
Interference suppression:	Limit value class B	EN 55 011
Degree of protection:	Housing: IP 40 IEC/EN 60 529	
Terminals:	IP 20	IEC/EN 60 529
Enclosure:	Thermoplast with V0-behaviour according to UL subj. 94	
Vibration resistance	Amplitude 0,35 mm frequency 10 ... 55 Hz IEC/EN 60 068-2-6	
Climate resistance:	20 / 045 / 04 IEC/EN 60 068-1	
Terminal designation:	EN 50 005	
Wire connection:	0,5 ... 6 mm ² solid or 0,5 ... 4 mm ² stranded wire with sleeve DIN 46 228-1/-2/-3/-4	
Wire fixing:	Box terminal with wire protection	
Mounting:	DIN rail	IEC/EN 60 715
Weight:	approx. 80 g	

Dimensions

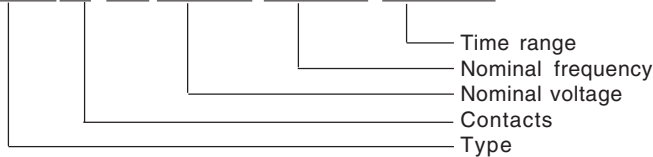
Width x Height x Depth: 17,5 x 90 x 66 mm

Standard type

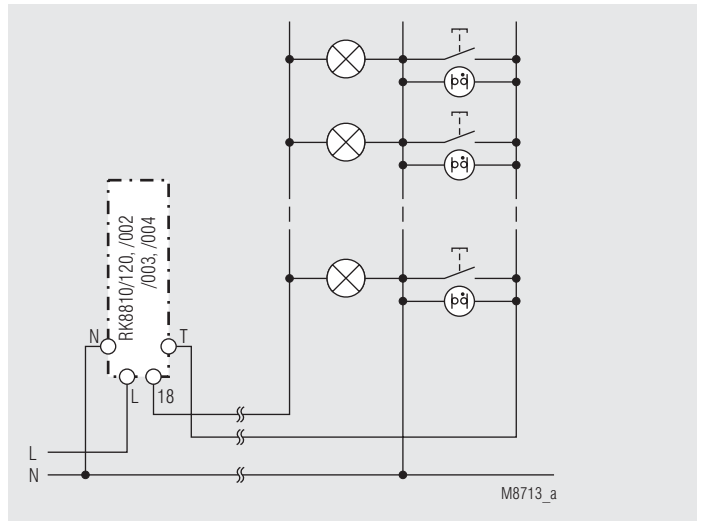
RK 8810.41/004	AC 230 V	50 / 60 Hz	3 ... 60 min
Article number:	0058995		
• Output:	1 NO contact, delay		
• Nominal voltage U_N :	AC 230 V		
• Timer range:	3 ... 60 min		
• Width:	17,5 mm		

Ordering example

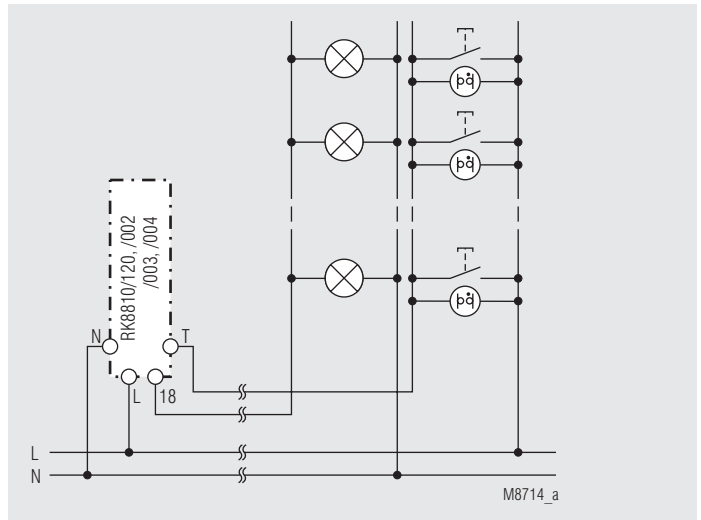
RK 8810.41 /004 AC 230 V 50 / 60 Hz 3 ... 60 min



Application example



3-wire circuit N on push button



4-wire circuit L on push button