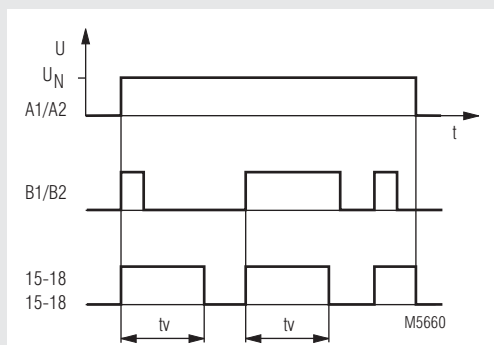


- According to IEC/EN 61 812-1
- Converts pulses to selectable length
- No repeat control during the time period (of the pulse)
- Pulse lengthening / shortening
- Time range up to 60 min
- Repeat accuracy  $\leq \pm 1 \%$
- Setting on absolute scale
- 2-voltage version
- LED displays for availability and contact position
- Available with 1 or 2 changeover contacts
- Width 22,5 mm

### Function diagram



### Approvals and marking



### Application

Time-dependent controllers

### Technical data

#### Time circuit

#### Time ranges:

0,05 ... 1 s	0,5 ... 10 min.
0,15 ... 3 s	1,5 ... 30 min.
0,5 ... 10 s	3 ... 60 min.
1,5 ... 30 s	
3 ... 60 s	
5 ... 100 s	
15 ... 300 s	

#### Time setting:

#### Min. switch-on time:

stepless

#### Repeat accuracy:

$\geq 20$  ms

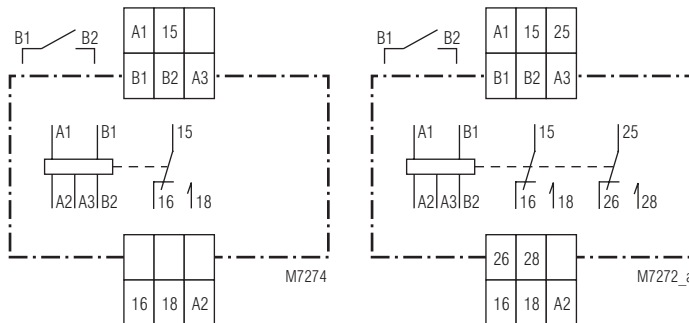
#### Voltage influence:

$\leq \pm 1 \%$

#### Temperature influence:

$< 0,1 \%$  / K

### Circuit diagram



MK 7856.71/024

MK 7856.72/024

### Input

#### Nominal voltage $U_N$ :

AC/DC 24<sup>1)</sup> + AC/DC 42 V<sup>2)</sup>  
 AC/DC 24<sup>1)</sup> + AC/DC 48 V<sup>2)</sup>  
 AC/DC 24<sup>1)</sup> + AC 110 V<sup>2)</sup>  
 AC/DC 24<sup>1)</sup> + AC 127 V<sup>2)</sup>  
 AC/DC 24<sup>1)</sup> + AC 230 V<sup>2)</sup>  
 AC/DC 24<sup>1)</sup> + AC 240 V<sup>2)</sup>

<sup>1)</sup> at terminals A3 - A2

<sup>2)</sup> at terminals A1 - A2

#### Voltage range:

0,8 ... 1,1  $U_N$

#### Nominal consumption:

AC 230 V 7 VA  
 DC 24 V 0,8 W

#### Nominal frequency:

50 / 60 Hz

#### Frequency range:

$\pm 5 \%$   $f_N$

### Output

#### Contacts

MK 7856.71: 1 changeover contact  
 MK 7856.72: 2 changeover contacts

#### Thermal current $I_{th}$ :

5 A

#### Switching capacity

##### to AC 15:

NO contact: 3 A / AC 230 V IEC/EN 60 947-5-1

NC contact: 2 A / AC 230 V IEC/EN 60 947-5-1

IEC/EN 60 947-5-1

#### Electrical life

to AC 15 at 3 A, AC 230 V: 5 x 10<sup>5</sup> switching cycles

#### Permissible switching frequency:

6 000 switching cycles / h

## Technical data

<b>Short circuit strength</b>		
<b>max. fuse rating:</b>	6 A gL	IEC/EN 60 947-5-1
<b>Mechanical life:</b>	30 x 10 <sup>6</sup> switching cycles	

## General data

<b>Operating mode:</b>	Continuous operation	
<b>Temperature range:</b>	- 20 ... + 60 °C	
<b>Clearance and creepage distances</b>		
overvoltage category / contamination level:	4 kV / 2	IEC 60 664-1
<b>EMC</b>		
Electrostatic discharge:	8 kV (air)	IEC/EN 61 000-4-2
HF irradiation:	10 V/m	IEC/EN 61 000-4-3
Fast transients:	2 kV	IEC/EN 61 000-4-4
Surge voltages between		
wires for power supply:	2 kV	IEC/EN 61 000-4-5
between wire and ground:	4 kV	IEC/EN 61 000-4-5
HF-wire guided:	10 V	IEC/EN 61 000-4-6
Interference suppression:	Limit value class B	EN 55 011
<b>Degree of protection:</b>	Housing: IP 40	IEC/EN 60 529
	Terminals: IP 20	IEC/EN 60 529
<b>Housing:</b>	Thermoplastic with V0 behaviour according to UL subject 94	
<b>Vibration resistance:</b>	Amplitude 0,35 mm, frequency 10 ... 55 Hz, IEC/EN 60 068-2-6	
<b>Climate resistance:</b>	20 / 060 / 04 IEC/EN 60 068-1	
<b>Terminal designation:</b>	EN 50 005	
<b>Wire connection:</b>	2 x 1,5 mm <sup>2</sup> solid or 2 x 1,0 mm <sup>2</sup> stranded wire with sleeve DIN 46 228-1/-2/-3/-4	
<b>Wire fixing:</b>	Flat terminals with self-lifting clamping piece IEC/EN 60 999-1	
<b>Mounting:</b>	DIN rail IEC/EN 60 715	
<b>Weight:</b>	140 g	

## Dimensions

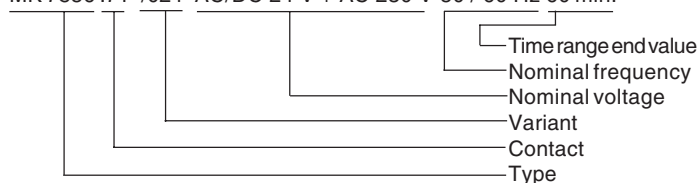
**Width x height x depth:** 22,5 x 82 x 99 mm

## Standard type

MK 7856.71/024	AC/DC24V + AC220...240V	50/60Hz	3s
Article number:	0030950		stock item
• Output:	1 changeover contact		
• Nominal voltage U <sub>N</sub> :	AC/DC 24 V + AC 220 ... 240 V		
• Time range:	0,15 ... 3 s		
• Width:	22,5 mm		

## Ordering example

MK 7856 .71 /024 AC/DC 24 V + AC 230 V 50 / 60 Hz 60 min.



## Accessories

ET 4752-143: Marking plate