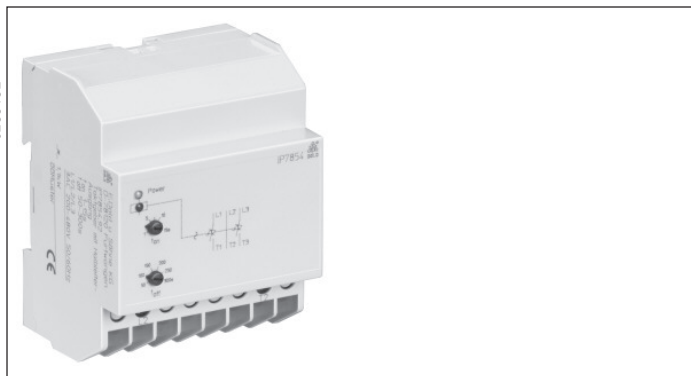
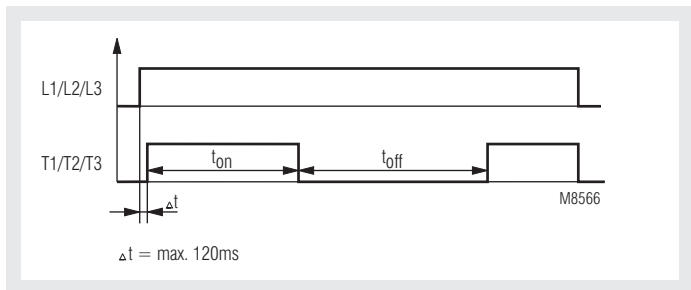


0255152

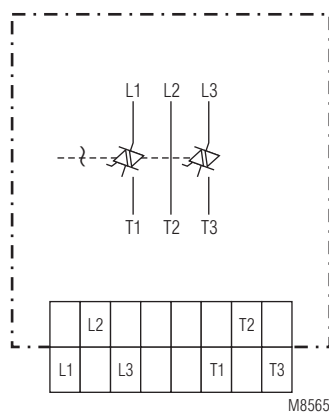


- According IEC/EN 60 947-4-2, IEC/EN 60 947-4-3
- 3-pole model. 2-phase control
- Load current up to 4,0 A
- For 3-AC load up to 200 ... 500 V without neutral
- Switching at zero crossing
- Protection via varistors
- DIN-rail mounting
- With LED indicators
- Width 70 mm

Function diagram



Circuit diagram



Approvals and marking



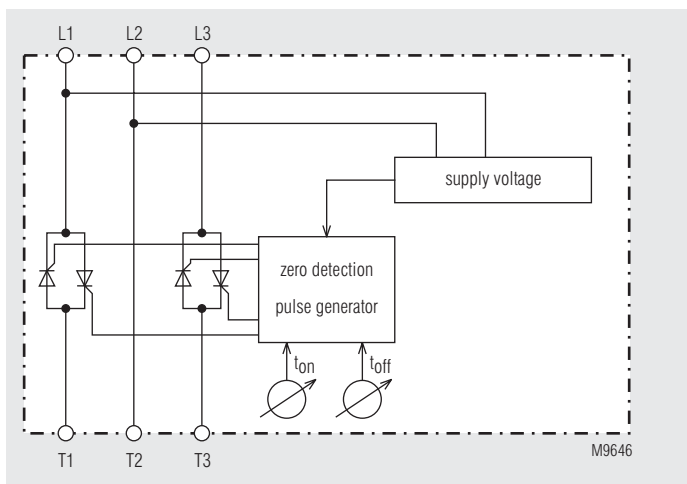
Applications

- Fast and noiseless switching of:
- heating elements
 - motors
 - valves
 - lighting

Indication

- LED green: ON, when voltage on L1/L2
LED yellow: ON, when thyristor outputs activated

Block diagram



Technical Data

Input / Output

Nominal voltage range:	AC 200 ... 500 V
Frequency range:	50 / 60 Hz
Load output T1, T2, T3:	3-pole, 2-phase control
Nominal current I_L:	4,0 A; AC 53a : 3-10 : 23-55
Leakage current in off state at nominal voltage U_N and nominal frequency (T_j=125°C, max.):	1,0 mA
at load voltage up to:	AC 480 V
Peak reverse voltage:	± 1 200 Vp
Short circuit current at t=10 ms:	600 A
Semiconductor fuse:	800 A ² s
Varistor voltage:	AC 625 V

General data

Nominal operating mode:	cyclic switching
T _{on} :	1 ... 15 s
T _{off} :	50 ... 300 s
Temperature range:	- 20 ... + 50°C
Storage temperature:	- 20 ... + 80°C
Clearance and creepage distance overvoltage category / contamination level:	4 kV / 3 IEC 60 664-1
EMC	IEC/EN 61 000-6-4, IEC/EN 61 000-6-1
Electrostatic discharge (ESD):	8 kV air / 6 kV contact IEC/EN 61 000-4-2
HF irradiation:	10 V / m IEC/EN 61 000-4-3
Fast transients: surge voltage between wires for power supply:	2 kV IEC/EN 61 000-4-4 1 kV IEC/EN 61 000-4-5
between wire and ground:	2 kV IEC/EN 61 000-4-5
HF-wire guided:	10 V IEC/EN 61 000-4-6
interference suppression:	Limit value class A IEC/EN 60 947-4-3 A higher suppression class can be reached by connecting capacitors of 0,47 µF / 600 V AC across the phases or across phase and neutral.
Degree of protection:	
Housing:	IP 40 IEC/EN 60 529
Terminals:	IP 20 IEC/EN 60 529
Vibration resistance:	amplitude 0,35 mm frequency 10 ... 55 Hz, IEC/EN 60 068-2-6
Climate resistance:	0 / 060 / 04 IEC/EN 60 068-1
Terminal designation:	EN 50 005
Wire connection	
Load terminals:	2 x 2,5 mm ² solid 2 x 1,5 mm ² stranded wire with sleeve DIN 46 228-1/-2/-3/-4
Mounting:	DIN-rail mounting IEC/EN 60 715
Weight:	170 g

Dimensions

Width x height x depth: 70 x 90 x 59 mm

Standard type

IP 7854.92	AC 200 ... 480 V	50/60 Hz	3 x 4,0 A
Article number:			
• 3-poles			
• Nominal voltage:	AC 200 ... 480 V		
• Nominal current:	4,0 A		
• T _{on} :	1 ... 15 s		
• T _{off} :	50 ... 300 s		
• Width:	70 mm		

Application example

