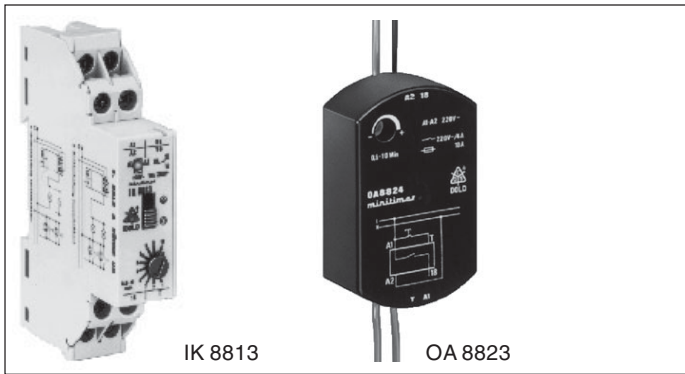
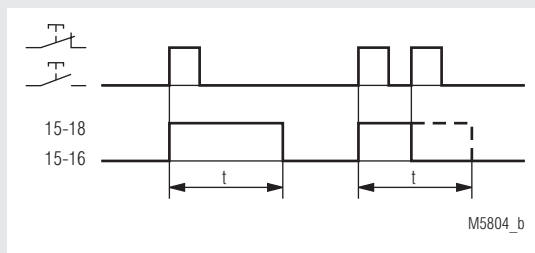


Energy-saving switch IK 8813 / OA 8823 minitimer

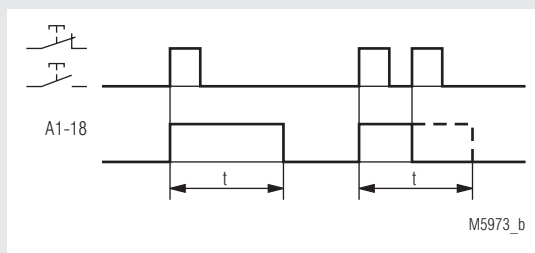


- According to IEC/EN 60 669
- Can be switched off before the time expires
- Operating times between 0,5 ... 60 min., as required
- IK 8813 with permanent light switch and LED indicator for contact position
- IK 8813 for installation in rows, width 17,5 mm
- OA 8823 for installation in flush-mounted boxes

Function diagrams

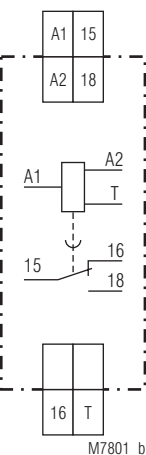


IK 8813

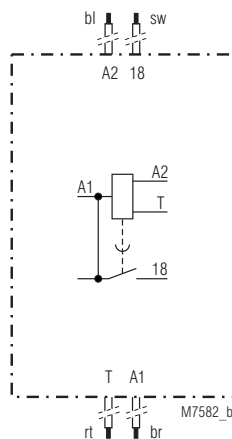


OA 8823

Circuit diagrams



IK 8813.81



OA 8823.84

Approvals and marking



Applications

Controlled switching-off of lights (such as staircase, courtyard, garden, garage, attic and cellar lights) as well as ventilators, driers and all electronic consumers in general that experience has shown are rarely switched off again immediately after they have been used.

Function

The energy-saving switches IK 8813 and OA 8823 are controlled by an electronic timing element. While IK 8813 is designed to be mounted on a top hat rail, OA 8823 is suitable for installation in flush-mounted boxes. The operating time can be set using a screwdriver. The switch can be activated via a 3- or 4-wire connection by pressing a pushbutton (only a 4-wire connection in the case of OA 8823). The pushbutton and the equipment concerned have to be connected to the same phase in this context.

Indicators

IK 8813
LED: on, when the output relay is activated (contact 15 - 18 is closed)

Notes

Switch connection boxes (60 cm deep) are suitable for installing OA 8823 can be purchased, for example, from Messrs Kaiser, D - 5885 Schalksmühle / Germany (order no. 1055-02). OA 8823 is also available on request complete with installation pushbutton and installation frame for switch connection boxes (diameter 60 mm, depth 40 mm).

Technical data

Timing circuit

Timing ranges: 0,5 ... 10 min, 1 ... 20 min, 3 ... 60 min
Repeat accuracy: + 2 % of the full scale value

Input

Nominal voltage U_N : AC 230 V
Voltage range: 0,8 ... 1.1 U_N
Nominal consumption:
apparent power: IK 8813: 5 VA
OA 8823: 3 VA
actual power: 0,3 W
Nominal frequency: 50 / 60 Hz
Glow lamps parallel to the pushbutton: 10 mA

Technical data

Output

Contacts

IK 8813.81: 1 changeover contact, delayed
 OA 8823.84: 1 NO contact, delayed

Thermal current I_{th}

IK 8813: 10 A
 OA 8823: 4 A

Switching capacity with lamp load:

Fluorescent lamp load
 Duo-switching (series compensated)
 IK 8813: 20 lamps with 58 W each
 5 x 10⁴ switching cycles
 OA 8823: 6 lamps with 58 W each
 5 x 10⁴ switching cycles

Glow lamp load

IK 8813: 1200 W
 OA 8823: 600 W

Short circuit strength max. fuse rating

IK 8813: 10 AgL IEC/EN 60 947-5-1
 OA 8823: 4 AgL IEC/EN 60 947-5-1

Mechanical life: > 10⁶ switching cycles

General data

Operating mode: Continuous operation
Temperature range: -20 ... +45°C

Clearance and creepage distances

overvoltage category / contamination level: 4 kV / 2 IEC 60 664-1

EMC

Electrostatic discharge: 8 kV (air) IEC/EN 61 000-4-2
 HF-irradiation: 10 V / m IEC/EN 61 000-4-3
 Fast transients: 2 kV IEC/EN 61 000-4-4

Surge voltages between

wires for power supply: 2 kV IEC/EN 61 000-4-5
 between wire and ground: 4 kV IEC/EN 61 000-4-5
 Interference suppression: Limit value class B EN 55 011

Degree of protection

IK 8813: Housing: IP 40 IEC/EN 60 529
 Terminals: IP 20 IEC/EN 60 529
 OA 8823: Housing: IP 40 IEC/EN 60 529

Housing:

Thermoplastic with V0 behaviour according to UL subject 94

Vibration resistance: Amplitude 0,35 mm, frequency 10 ... 55 Hz IEC/EN 60 068-2-6
 20 / 045 / 04 IEC/EN 60 068-1
Climate resistance: EN 50 005

Terminal designation:

Wire connection
 IK 8813: 2 x 2,5 mm² solid or
 2 x 1,5 mm² stranded ferruled
 DIN 46 228-1/-2/-3/-4

Wire fixing

IK 8813: Flat terminals with self-lifting clamping piece IEC/EN 60 999-1

Mounting

IK 8813: DIN rail IEC/EN 60 715

Weight

IK 8813: 75 g
 OA 8823: 31 g

Dimensions

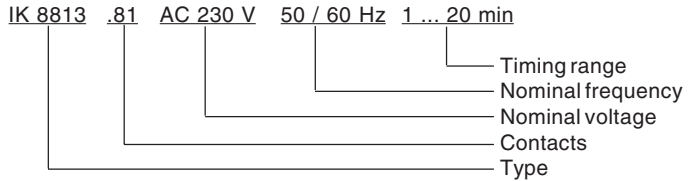
Width x height x depth

IK 8813: 17,5 x 89 x 58 mm
 OA 8823: 40 x 58,5 x 18 mm

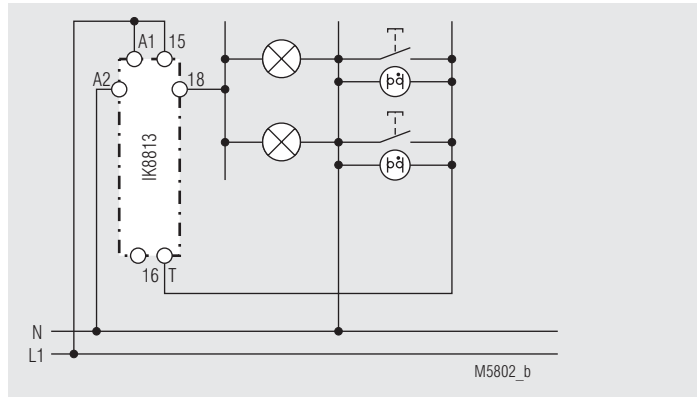
Standard type

IK 8813.81 AC 230 V 50 / 60 Hz 3 ... 60 min
 Article number: 0029830 stock item
 • Output: 1 changeover contact, delayed
 • Nominal voltage U_N : AC 230 V
 • Time range: 3 ... 60 min
 • Width: 17,5 mm

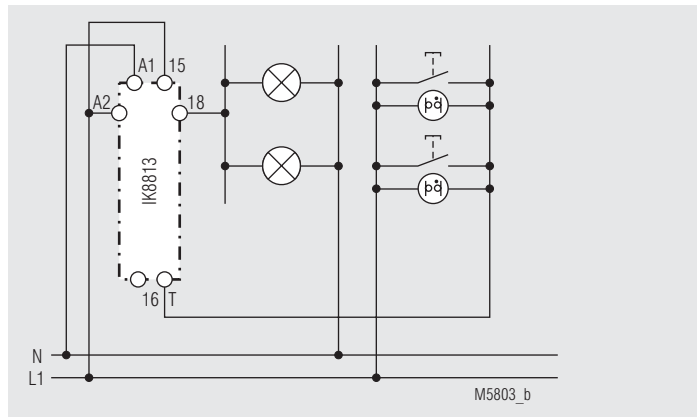
Ordering example



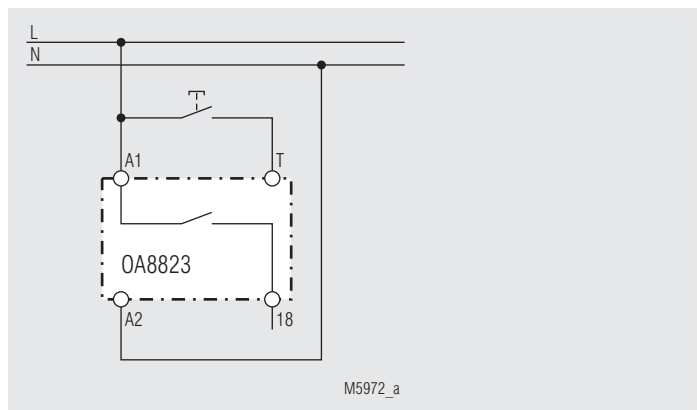
Application example



IK 8813
 3-wire circuit (can be switched off)



IK 8813
 4-wire circuit (can be switched off)



OA 8823

Specification for tender for IK 8813

Energy-saving switch according to IEC/EN 60 669 to be built in consumer units, can be switched off before the time expires. Operating times 0,5 ... 10 min., with permanent light switch and LED indicator.

1 changeover contact

Width 17,5 mm

Type IK 8813

Manufactured by E. DOLD & SÖHNE KG

Energy-saving switch according to IEC/EN 60 669 to be built in consumer units, can be switched off before the time expires. Operating times 1 ... 20 min., with permanent light switch and LED indicator.

1 changeover contact

Width 17,5 mm

Type IK 8813

Manufactured by E. DOLD & SÖHNE KG

Energy-saving switch according to IEC/EN 60 669 to be built in consumer units, can be switched off before the time expires. Operating times 3 ... 60 min., with permanent light switch and LED indicator.

1 changeover contact

Width 17,5 mm

Type IK 8813

Manufactured by E. DOLD & SÖHNE KG

