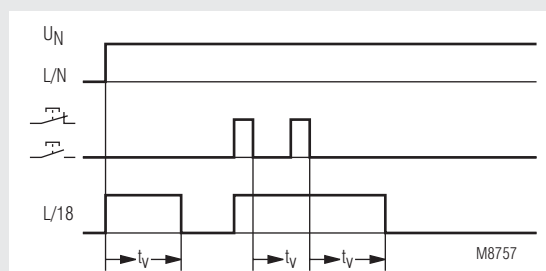


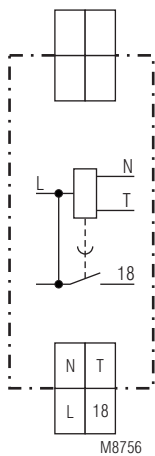


- According to EN 60669
- Setting range 0,5 ... 10 min
- After the light the fan switched on
- Switch for continuous light of the exhauster on unit
- Contact: 16 A
- Width 17,5 mm

### Function diagram



### Circuit diagram



IK 8810.41

### Approval and marking



### Application

Ansteuerung von Ventilatoren

### Function

The fan starts approx. 1 min. after the light is switched on. When the light is switched off the fan will continue to run for the adjusted delay time.

### Indication

LED: on when output relay activated

### Notes

Unit and push button have to be connected to the same phase (see connection diagram) The output contact is not volt free.

### Technical Data

#### Time circuit

**Time range:** 0,5 ... 10 min  
**Repeat accuracy:** < 1 % of setting value

#### Input

**Nominal voltage  $U_N$ :** AC 230 V  
**Voltage range:** 0,8 ... 1,1  $U_N$   
**Nominal consumption**  
 apparent power: 4 VA  
 effective power: 1 W  
**Nominal frequency:** 50 / 60 Hz  
**Permitted residual current caused by glow lamps in the push buttons** max. 10 glow lamps à 1 mA

#### Output

**Contacts:** 1 NO contact, delay  
**Contact opening gap:** < 3 mm  
**Thermal current  $I_{th}$ :** 16 A  
**Switching capacity at fan load**  
**Short circuit strength max. fuse rating:** 16 AgL IEC/EN 60 947-5-1  
**Mechanical life:** > 10<sup>6</sup> switching cycles

## Technische Daten

### General Data

**Nominal operating mode:** impulse operation

**Temperature range:** - 20 ... + 60°C

### Clearance and creepage distances

overvoltage category /

contamination level: 4 kV / 2 IEC 60 664-1

### EMC

Electrostatic discharge (ESD): 8 kV (air) IEC/EN 61 000-4-2

HF-irradiation: 10 V / m IEC/EN 61 000-4-3

Fast transients: 2 kV IEC/EN 61 000-4-4

Surge voltages

between

wires for power supply: 2 kV IEC/EN 61 000-4-5

between wire and ground: 4 kV IEC/EN 61 000-4-5

Interference suppression: Limit value class B EN 55 011

### Degree of protection:

Housing: IP 40 IEC/EN 60 529

Terminals: IP 20 IEC/EN 60 529

### Enclosure:

Thermoplast with V0-behaviour according to UL subj. 94

### Vibration resistance

Amplitude 0,35 mm

frequenzy 10 ... 55 Hz IEC/EN 60 068-2-6

Climate resistance: 20 / 045 / 04 IEC/EN 60 068-1

Terminal designation: EN 50 005

### Wire connection:

2 x 2,5 mm<sup>2</sup> solid or

2 x 1,5 mm<sup>2</sup> stranded wire with sleeve

DIN 46 228-1/-2/-3/-4

### Wire fixing:

Flat terminals with self-lifting

clamping piece IEC/EN 60 999-1

Mounting: DIN rail IEC/EN 60 715

Weight: 75 g

### Dimensions

Width x Height x Depth: 17,5 x 89 x 58 mm

### Standard type

IK 8810.41/005 AC 230 V 50 / 60 Hz 0,5 ... 10 min

Article number: 0057068 stock item

• Output: 1 NO contact, delay

• Nominal voltage  $U_N$ : AC 230 V

• Timer range: 0,5 ... 10 min

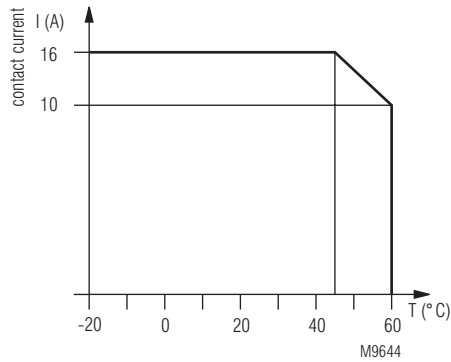
• Width: 17,5 mm

### Ordering example

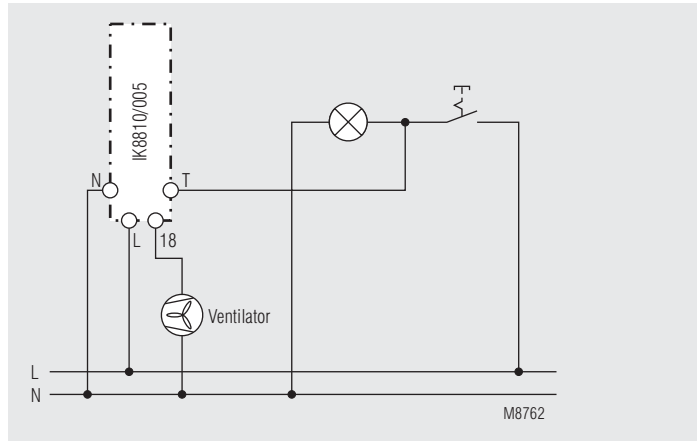
IK 8810 .41 /005 AC 230 V 50 / 60 Hz 0,5 ... 10 min

Time range  
Nominal frequency  
Nominal voltage  
Contacts  
Type

## Characteristics



## Application example



circuit L on push button