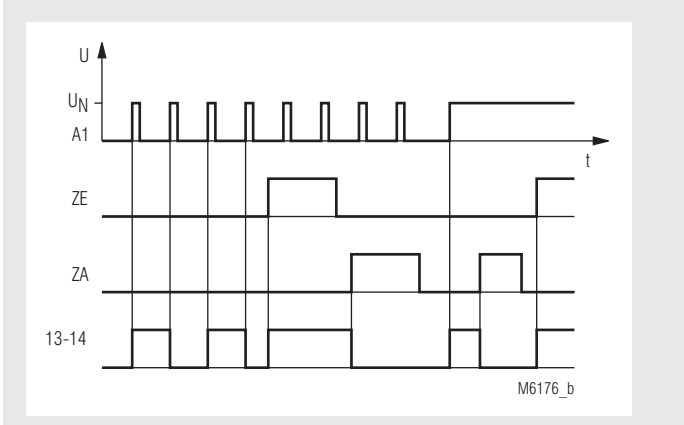


Remote switch for central switching operations IK 8807



- According to IEC/EN 60 669
- With 1 or 2 NO contacts as options
- When ZE or ZA is actuated, the pulse via room pushbuttons is ineffective
- 15 mA glow lamp load
- Width 17,5 mm

Function diagram



Approvals and marking



Function

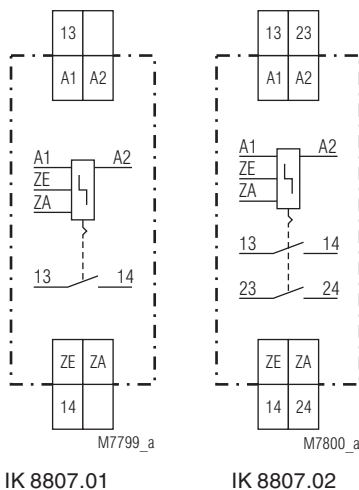
The remote switch IK 8807 enables central switching operations to be carried out, with which it is possible to switch several different groups of consumers on and off from a central location.

A remote switch that can be switched not only by room pushbuttons but also by central pushbuttons is necessary for each group of consumers. If a permanent signal is issued by a central pushbutton (or switch), the room pushbuttons are ineffective.

Notes

ZE, ZA and room pushbuttons have to be connected to the same phase. When the units are started up for the first time, the output relays can be moved to a specified position by applying the operating voltage to ZA for a short time. Unwired ZE or ZA inputs (and/or inputs that are not activated) must be free from potential and residual voltage. ZE/ZA should be activated via interface relays in critical cases. The parallel activation of several units via the room pushbutton input A1 is not allowed.

Circuit diagram



IK 8807.01

IK 8807.02

Technical data

Input

Nominal voltage U_N:	AC/DC 24 V AC 42 V, 220 ... 230 V
Voltage range:	0,9 ... 1,1 U_N
Nominal consumption:	DC 24 V AC 230 V 0,3 W 1,2 VA
Nominal frequency:	50 / 60 Hz
Frequency range:	$\pm 5 \%$
Glow lamps parallel to the pushbutton:	max. 30 à 0,5 mA each
Max. parallel capacity of the room pushbutton control line:	2 μ F
of the ZE / ZA control line:	0,33 μ F
Max. interference voltage on the inputs:	2,5 kV
Minimum switching-on time:	50 ms
Minimum pause time:	2 s

Output

Contacts	
IK 8807.01:	1 NO contact
IK 8807.02:	2 NO contacts
Nominal output voltage:	AC 400 V
Switching capacity	
at lamp load:	10 A / 230 V 10 ⁵ switching cycles
Fluorescent lamp load:	2 000 W, 10 ⁵ switching cycles (duo switching)

Technical data

Bulb load:	1 000 W, 10 ⁵ switching cycles
Thermal current I_{th}:	10 A (see characteristics)
Switching frequency:	1 000 / h
Short circuit strength	
max. fuse rating:	10 A gL IEC/EN 60 947-5-1
Mechanical life:	> 5 x 10 ⁷ switching cycles

General data

Operating mode:	Continuous operation
Temperature range:	- 20 ... 45°C
Clearance and creepage distances	
Overvoltage category/ pollution degree:	4 kV / 2 IEC 60 664-1
EMC	
Electrostatic discharge:	8 kV (air) IEC/EN 61 000-4-2
HF irradiation:	10 V / m IEC/EN 61 000-4-3
Fast transients:	2 kV IEC/EN 61 000-4-4
Surge voltages between	
wires for power supply:	1 kV IEC/EN 61 000-4-5
between wire and ground:	2 kV IEC/EN 61 000-4-5
HF-wire guided:	10 V IEC/EN 61 000-4-6
Interference suppression:	Limit value class B EN 55011
Degree of protection:	Housing: IP 30 IEC/EN 60 529
	Terminals: IP 20 IEC/EN 60 529
Housing:	Thermoplastic with V0 behaviour according to UL subject 94
Vibration resistance:	Amplitude 0,35 mm IEC/EN 60 068-2-6 frequency 10 ... 55 Hz
Climate resistance:	20 / 045 / 04 IEC/EN 60 068-1
Terminal designation:	EN 50 005
Wire connection:	2 x 2,5 mm ² solid or 2 x 1,5 mm ² stranded ferruled DIN 46 228-1/-2/-3/-4
Wire fixing:	Flat terminals with self-lifting clamping piece IEC/EN 60 999-1
Screw attachment:	Possible via extendable flaps
Mounting:	DIN rail IEC/EN 60 715
Weight:	80 g

Dimensions

Width x height x depth: 17,5 x 89 x 58 mm

Standard type

IK 8807.02 AC 230 V 50/60 Hz	
Article number:	0037839 stock item
• Output:	2 NO contacts
• Nominal voltage U _N :	AC 230 V
• Width:	17,5 mm

Ordering example

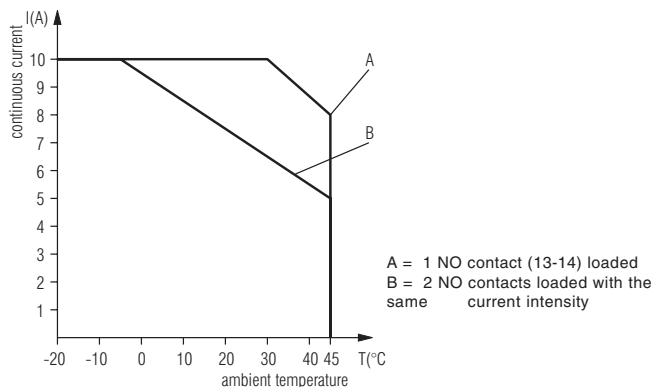
IK 8807.01 AC 230 V 50 / 60 Hz	
	Nominal frequency
	Nominal voltage
	Contacts
	Type

Specifiaction for tender for IK 8807

Remote switch for central switching operation according to IEC/EN 60 669 to be built in consumer units, 1 NO contact, continuous current 10 A.
Width 17,5 mm.
Type IK 8807.01
Manufactured by: E. DOLD & SÖHNE KG

Remote switch for central switching operation according to IEC/EN 60 669 to be built in consumer units, 2 NO contacts, continuous current 10 A.
Width 17,5 mm.
Type IK 8807.02
Manufactured by: E. DOLD & SÖHNE KG

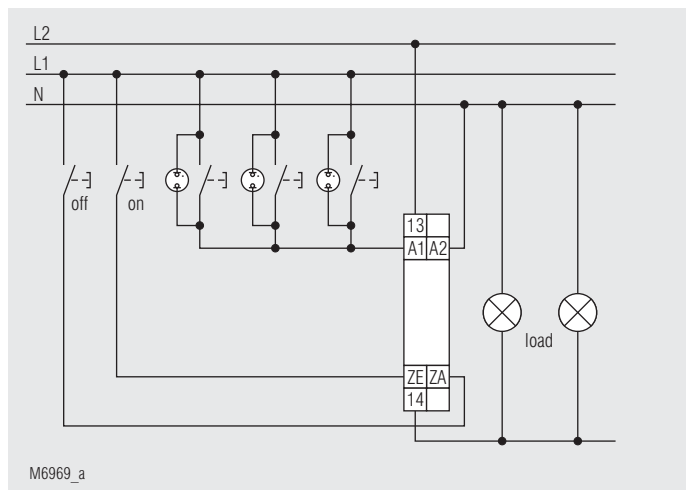
Characteristics



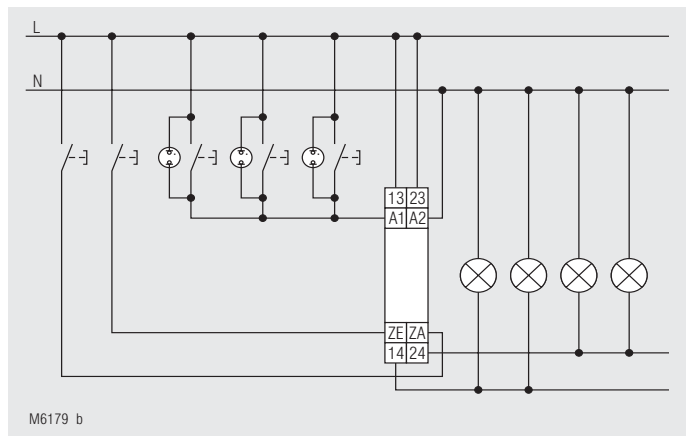
M6968 a

Permanent current curve in relation to the ambient temperature

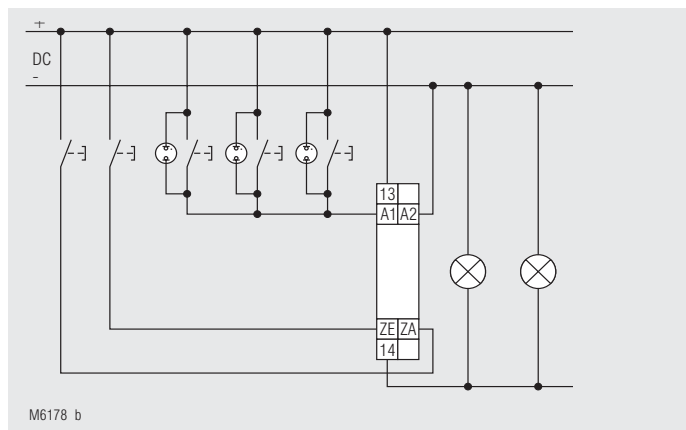
Connection examples



IK 8807.01



IK 8807.02



IK 8807.01 (DC activation)