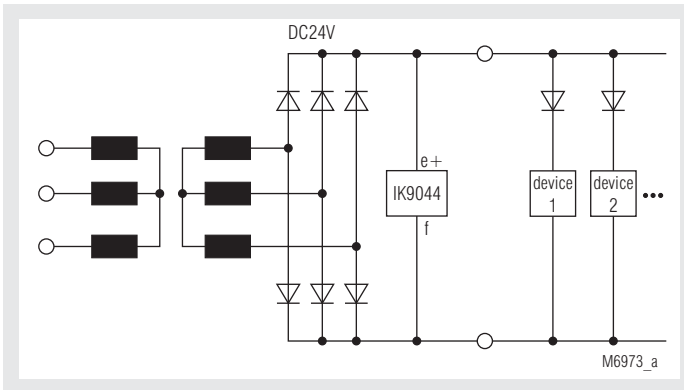


- According to IEC/EN 60 669
- With 2 delay times
 - 0,3 ... 5 min. if the pushbutton is pressed briefly (< 1 s)
 - 1,2 ... 20 min. if the pushbutton is pressed for a long time (> 1 s) i.e. the delay time is four times as long
- Operating time adjustment with a screwdriver
- Reswitching possible
- IK 8825 with permanent light switch
- Permanent light as long as the pushbutton is pressed
- IK 8825 for installation on a top hat rail
- OA 8825 for installation in flush-mounted boxes
- Width IK 8825 17,5 mm

Function diagram



Approvals and marking



Application

- Automatic staircase light switch with time extension as required
- To be used in car parks. To load or unload cars the lighting time can be extended.

Indicator

IK 8825:
LED: on, when the output relay is activated

Notes

The unit and the pushbutton must be connected to the same phase. The choice of long or short operating mode is determined by the length of time that the pushbutton is pressed when it is actuated the last time.

Technical data

Time circuit

| | |
|---|------------------------------|
| Time ranges: | |
| Short time: | 0,3 ... 5 min |
| Long time: | 1,2 ... 20 min |
| Repeat accuracy: | ± 2% of the full scale value |
| Nominal voltage U_N: | AC 230 V |
| Voltage range: | 0,8 ... 1,1 U _N |
| Nominal consumption: | |
| Apparent power IK 8825: | 5 VA |
| OA 8825: | 3 VA |
| Actual power: | 0,3 W |
| Nominal frequency: | 50 / 60 Hz |
| Glow lamps parallel to the pushbutton: | |
| IK 8825: | 40 mA |
| OA 8825: | 10 mA |

Output

Contacts

IK 8825.41, OA 8825.41: 1 NO contact, delayed

Switching capacity with lamp load

Fluorescent lamp load

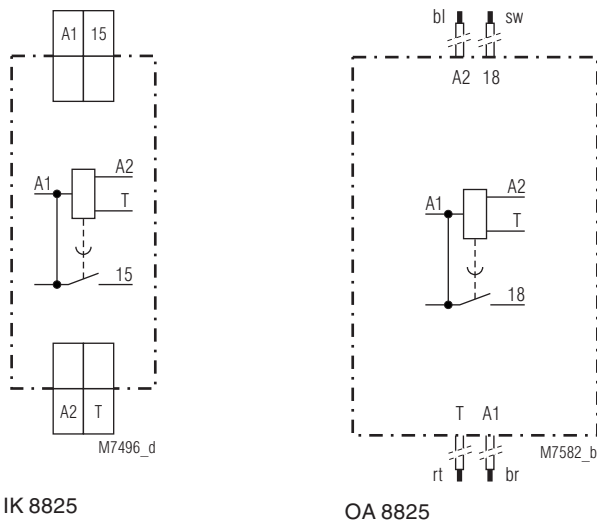
Duo switching

| | | |
|----------|-------------|--------------------------------------|
| IK 8825: | 20 L / 65 W | 5 x 10 ⁴ switching cycles |
| OA 8825: | 6 L / 65 W | 5 x 10 ⁴ switching cycles |

Glow lamp load:

| | |
|----------|--------|
| IK 8825: | 1200 W |
| OA 8825: | 600 W |

Circuit diagrams



IK 8825

OA 8825

Technical data

Short circuit strength

max. fuse rating

| | | |
|----------|---------|-------------------|
| IK 8825: | 10 A gL | IEC/EN 60 947-5-1 |
| OA 8825: | 4 A gL | IEC/EN 60 947-5-1 |

Mechanical life:

> 1 x 10⁶ switching cycles

General data

Operating mode:

Continuous operation

Temperature range:

- 20 ... + 45°C

Clearance and creepage distances

overvoltage category/
contamination level: 4 kV / 2 IEC 60 664-1

EMC

Electrostatic discharge: 8 kV (air) IEC/EN 61 000-4-2

HF irradiation: 10 V / m IEC/EN 61 000-4-3

Fast transients: 2 kV IEC/EN 61 000-4-4

Surge voltages

between

wires for power supply: 2 kV IEC/EN 61 000-4-5

between wire and ground: 4 kV IEC/EN 61 000-4-5

Interference suppression: Limit value class B EN 55011

Degree of protection: Housing: IP 40 IEC/EN 60 529

Terminals: IP 20 IEC/EN 60 529

Housing:

Thermoplastic with V0 behaviour according to UL subject 94

Vibration resistance:

Amplitude 0,35 mm;
frequency 10 ... 55 Hz IEC/EN 60 068-2-6

Climate resistance:

20 / 045 / 04 IEC/EN 60 068-1

Wire connection:

2 x 2,5 mm² solid or
2 x 1,5 mm² stranded ferruled
DIN 46 228-1/-2/-3/-4

Wire fixing

IK 8825: Flat terminals with self-lifting clamping piece IEC/EN 60 999-1

Mounting

IK 8825: DIN rail IEC/EN 60 715

Weight

IK 8825: 70 g

OA 8825: 31 g

Dimensions

Width x height x depth

IK 8825: 17,5 x 90 x 59 mm

OA 8825: 35 x 55 x 18 mm

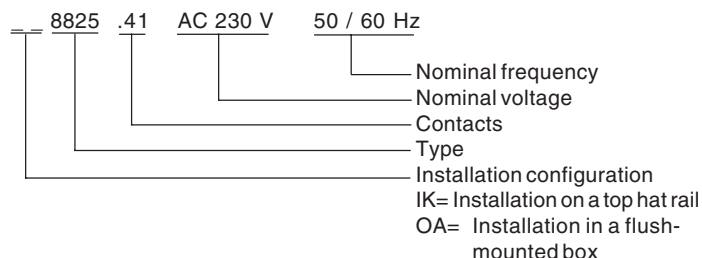
Standard type

IK 8825.41 AC 230 V 50 / 60 Hz 5 ... 20 min

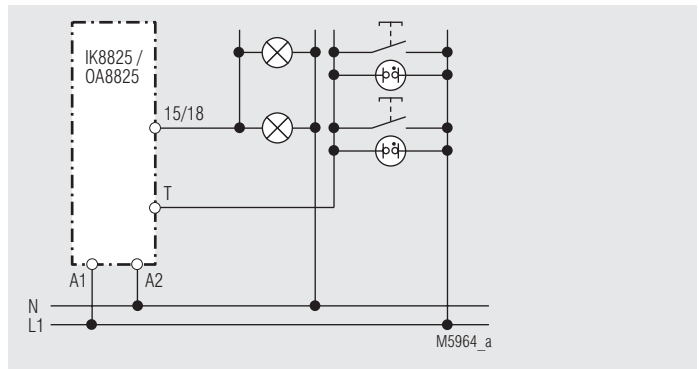
Article number: 0045022

- Output: 1 NO contact ,delayed
- Nominal voltage U_N: AC 230 V
- Time range: 5 ... 20 min
- Width: 17,5 mm

Ordering example



Connection example



IK 8825 / OA 8825

4-wire circuit (reswitching possible)